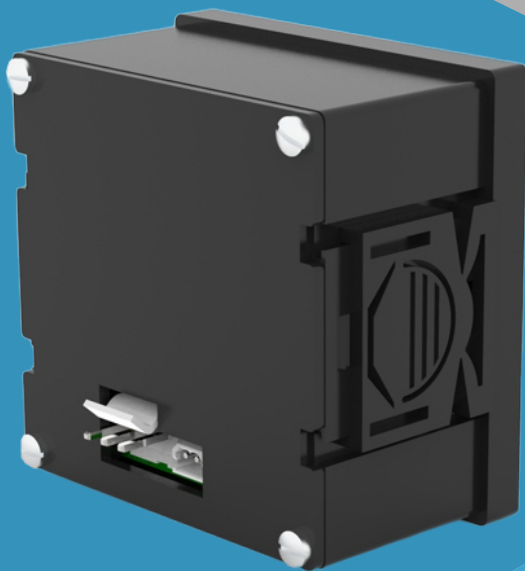


DIGITAL VA METER

Digital Volt Ammeter for Electrical Control and Monitoring Panels



- +91 95002 95005
- schnell@schnellenergy.com
- www.schnellenergy.com
- Schnell Energy Equipments Pvt.Ltd,
6/4, Lions Club Building, Ranganayaki Nagar,
Periyanaickenpalayam, Coimbatore - 641 020.



PRODUCT DESCRIPTION

The Digital Volt Ammeter is a precision instrument designed for accurate measurement of both voltage and current in electrical control and monitoring panels. Ideal for industrial, commercial, and residential applications, this device provides real-time readings with high accuracy.

KEY FEATURES:

- ◆ **Dual Measurement:** Measures both voltage (V) and current (A) simultaneously, with scrolling LED displays for easy monitoring.
- ◆ **High Accuracy:** Provides precise readings with Class 2.0 accuracy at full scale range (FSR).
- ◆ **Clear Digital Display:** Easy-to-read display with scrolling LEDs for voltage and current readings.
- ◆ **Wide Measurement Range:** Measures a broad spectrum of voltages and currents for diverse applications.
- ◆ **Compact Design:** Space-saving and fits seamlessly into control or monitoring panels.
- ◆ **Easy Installation:** Plug-and-play connectors for simple installation and quick integration into electrical panels.
- ◆ **Robust Build:** Built for durability, ensuring long-lasting performance in harsh environments.





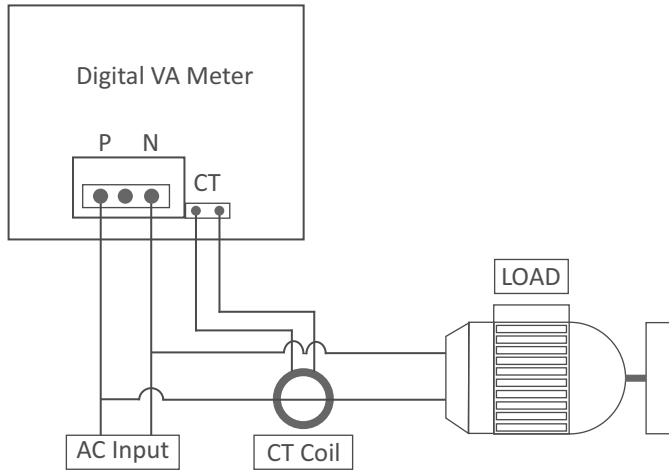
APPLICATION

- ◆ Electrical control panels
- ◆ Power distribution panels
- ◆ Motor control panels
- ◆ Monitoring and diagnostic systems
- ◆ Industrial automation and machinery

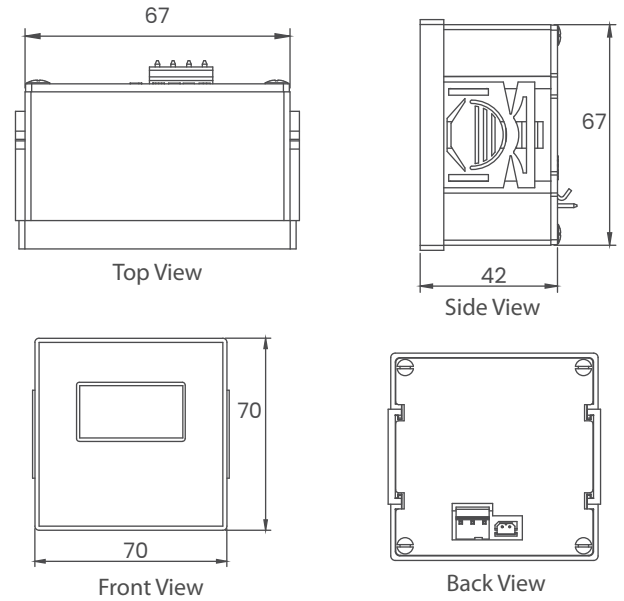
TECHNICAL SPECIFICATIONS

S.No	Parameter	Specification
1	Nominal Input Voltage	230VAC / 1PH
2	Operating Voltage Range	100VAC - 305VAC / PH
3	Current Measurement Range (External CT)	0 - 30A
4	Input Frequency Range	47 - 53Hz
5	Metering Accuracy (Both Voltage and Current)	Class 2.0 @ FSR
6	Display	3 Digit 0.56" 7 Segment LED Display
7	Mounting	Panel Mountable
8	Product Dimensions	70 X 70 X 42 mm
9	Panel Cutout Dimensions	67 X 67 mm
10	Weight	80 grams
11	Operating Conditions	0°C to +60°C, 90% Non-condensing
12	CT turns	1 : 500 Turns Ratio

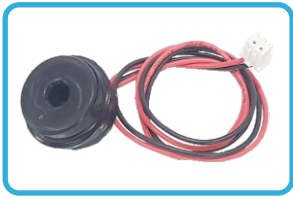
WIRING DETAILS



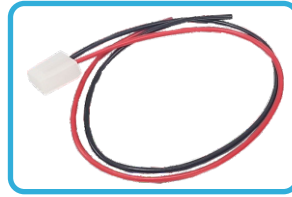
MECHANICAL DETAILS



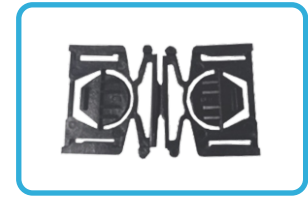
PRODUCT ACCESSORIES



CT coil With Pluggable Connector



3 Pin Female Connector For AC Input Supply



Mounting Bracket

WHY CHOOSE THIS PRODUCT?

This digital volt ammeter ensures high-precision measurement, enhances system reliability, and simplifies electrical monitoring. Its compact design and ease of installation make it a perfect fit for any electrical control or monitoring panel.

Order Now : Get your Digital Volt Ammeter today for accurate and reliable monitoring in your electrical panels!

Contact us for Bulk Orders
थोक ऑर्डर के लिए हमसे संपर्क करें
96550 6607

