



SURGE PROTECTOR WITH WPC FOR LED LAMP -10KA/20KV -CM



+91 95002 95005

www.schnellenergy.com

schnell@schnellenergy.com

6/4, Lions Club Building, Ranganayaki Nagar,
Periyanaickenpalayam, Coimbatore - 641020,
Tamil Nadu.



PRODUCT DESCRIPTION

SURGE PROTECTOR with WPC for LED lamp – 10KA – 20KV Device is specially designed to be used in outdoor and commercial LED lighting fixtures for transient over voltage protection. In thermal disconnect function provides additional protection to prevent catastrophic failure and fire hazard even under the extreme circumstances of varistor end – of – life or sustaining over voltage conditions The product is connected with LED lamp to provide reliable lightning surge protection, which can effectively prolong the product life and stability of luminaries.

PRODUCT FEATURES

- Protection mode : L-N, L-E, N-E
- End-of-life indication LED for status monitoring
- Load disconnection at End-of-life of SPD
- Built in thermal separation function,higher safety
- Series connection mode
- Excellent Surge impact resistance and low residual voltage
- Miniature size, convenient for embedded installation
- Equipped with WPC (Waterproof cables) which is compatible with the Bimetallic clamp cable & lamp
- IP67 & RoHs Certified

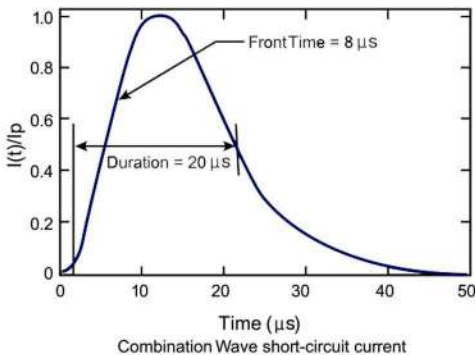
APPLICATION

- Street Lighting
- Tunnel Lighting
- Flood Lighting
- Stadium Lighting
- Port Lighting
- Traffic lighting
- Industrial high bay lighting

ELECTRICAL DATA

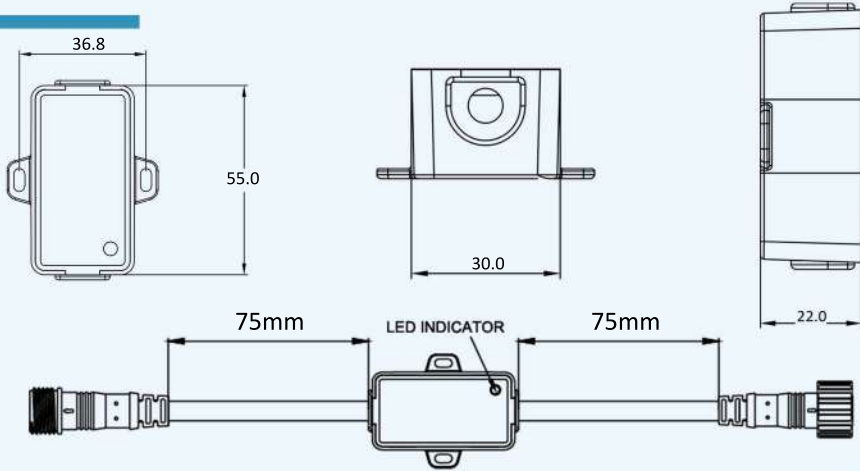
Product Model	SNL – SPDI0K – WPC – CM
SPD according to IEC /EN 61643-11	Type III
Nominal operating voltage/ U_n	100 – 277V (50/60Hz)
Max. Continuous operating voltage/MCOV (U_c)	440VAC
Rated load current / I_L	5A
Nominal discharge current / $I_n(8/20\mu s)$	5kA
Max. discharge current/ $I_{max}(8/20\mu s)$	10kA
Open - circuit voltage/ $U_{oc}(1.2/50\mu s \& 8/20\mu s)$	10kV
Voltage protection level/ $U_p(@I_n)$	$\leq 1.5kV(L-N, L-E, N-E)$
Protection Mode	Common Mode and Differential Mode
Operating state/fault indication	On Normally, Off Fault
Connecting wires	1 mm ²
Connection mode	Series connection
Enclosure material	ABS
Operating temperature range	-40°C~+85°C
Degree of protection	IP67
Product Size	L55 X W30 X H22 mm
Weight(one piece)	72g

TEST WAVEFORM

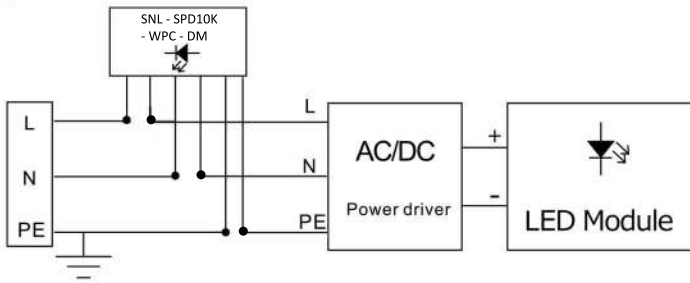


Lighting surge test (8/20 μs)	
Surge	Strikes
10000A	1
5000A	15

DIMENSIONS



INSTALLATION



Series connection

CONNECTION IMAGE OF SPD-WPC

